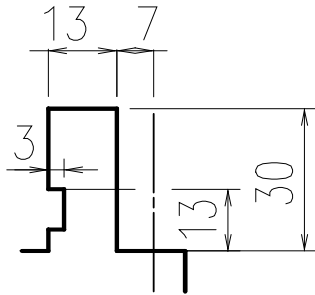
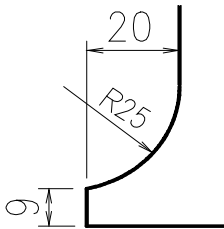


1. Technical specifications :

Punch Tongue:

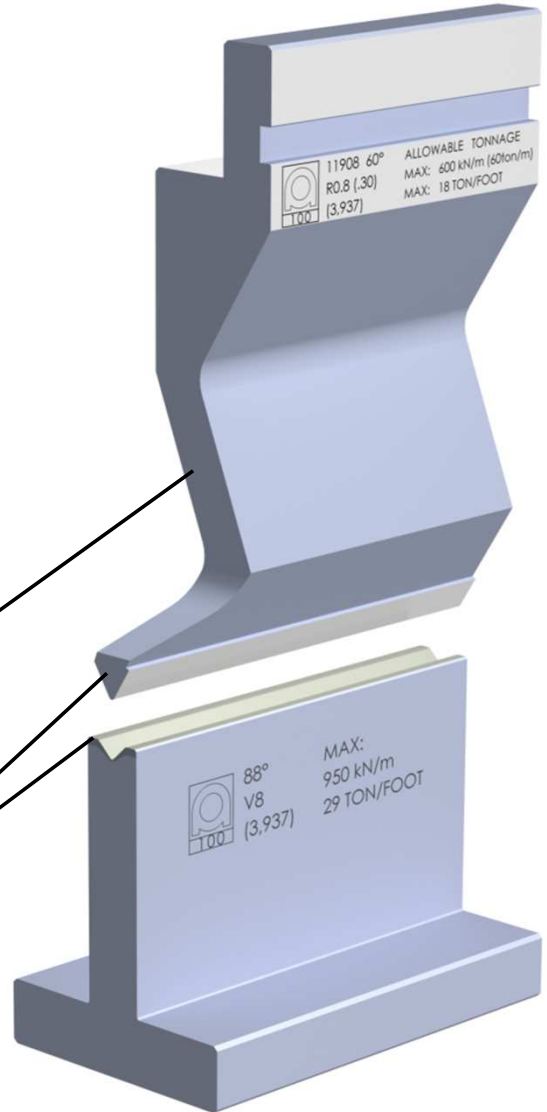


Ear Piece:

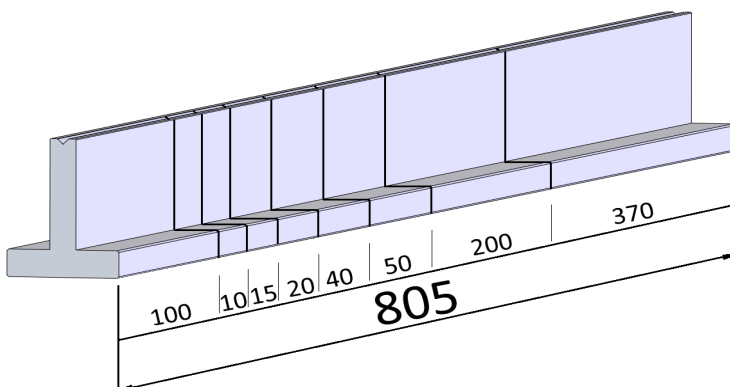


Material : C45

Hardness of active radii :
54-58 HRC



2. Specification of tool length (punches and dies) :



L = 835 mm

S = 415 mm

Sect. punches = 10; 15; 20; 40; 50; 200; 270
100L-ear; 100R-ear = 805 mm

Sect. dies = 10; 15; 20; 40; 50; 100 200; 370 = 805 mm

3. Specification of V-Opening and angle :

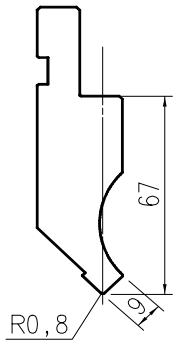
30° : V6 - V25

60° : V6 - V25

88° : V6 - V25

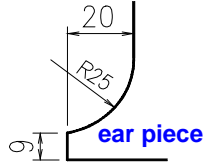
90° : V6 - V12

Punch type : 4



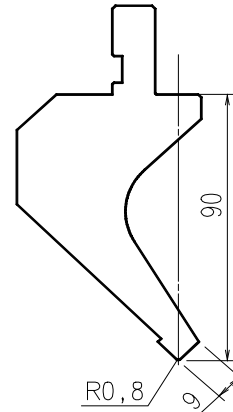
Hardness: 54-58 HRC
inductionhardened
Lengths: L = 835
[mm] S = 415
Sect. = 805

1000
kN/m



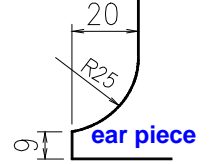
		Item No.	Price Euro	Weight Kg
88°	L	EC604081		11,2
	S	EC604082		5,6
	Sect	EC604083		10,4

Punch type : 452



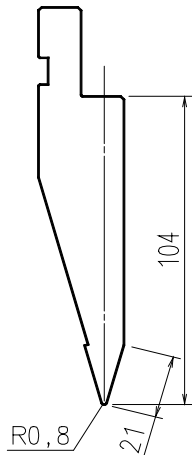
Hardness: 54-58 HRC
inductionhardened
Lengths: L = 835
[mm] S = 415
Sect. = 805

600
kN/m



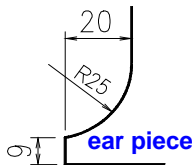
		Item No.	Price Euro	Weight Kg
88°	L	EC652081		19,9
	S	EC652082		9,9
	Sect	EC652083		1,9

Punch type : 210



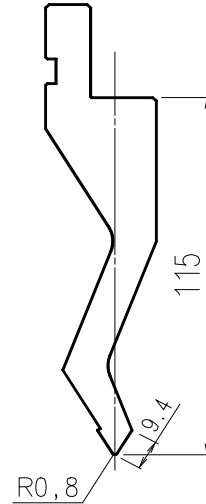
Hardness: 54-58 HRC
inductionhardened
Lengths: L = 835
[mm] S = 415
Sect. = 805

1000
kN/m



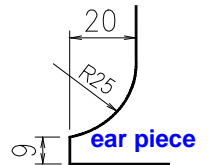
		Item No.	Price Euro	Weight Kg
30°	L	EC610081		15,0
	S	EC610082		7,5
	Sect	EC610083		14,2

Punch type : 119



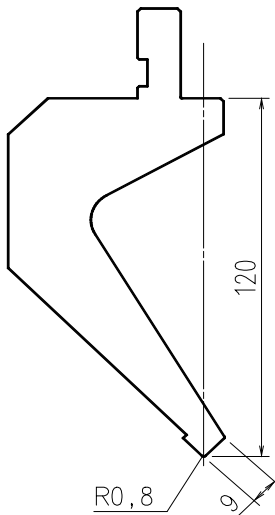
Hardness: 54-58 HRC
inductionhardened
Lengths: L = 835
[mm] S = 415
Sect. = 805

600
kN/m



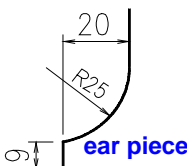
		Item No.	Price Euro	Weight Kg
60°	L	EC119081		14,6
	S	EC119082		7,3
	Sect	EC119083		13,8

Punch type : 47



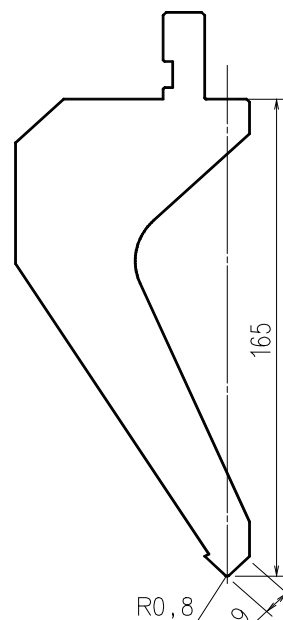
Hardness: 54-58 HRC
inductionhardened
Lengths: L = 835
[mm] S = 415
Sect. = 805

500
kN/m



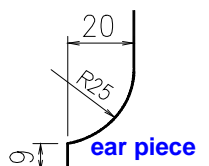
		Item No.	Price Euro	Weight Kg
88°	L	EC747081		26,0
	S	EC747082		13,0
	Sect	EC747083		24,8

Punch type : 47208



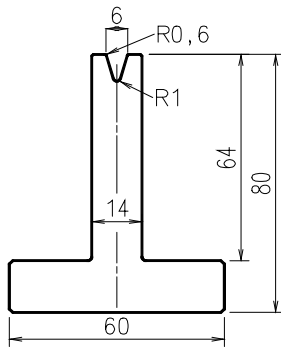
Hardness: 54-58 HRC
inductionhardened
Lengths: L = 835
[mm] S = 415
Sect. = 805

600
kN/m



		Item No.	Price Euro	Weight Kg
88°	L	EC672081		40,4
	S	EC672082		20,1
	Sect	EC672083		38,4

V6 - 30°

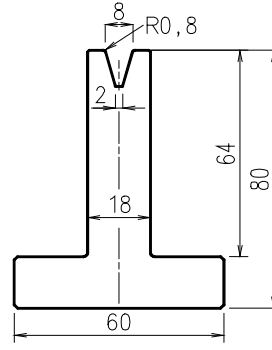


**Hardness: 54-58 HRC
inductionhardened**
Lengths: L = 835
[mm] S = 415
Sect. = 805

**350
kN/m**

		Item No.	Price Euro	Weight Kg
30°	L	T0630061		11,9
	S	T0630062		5,9
	Sect	T0630063		11,4

V8 - 30°

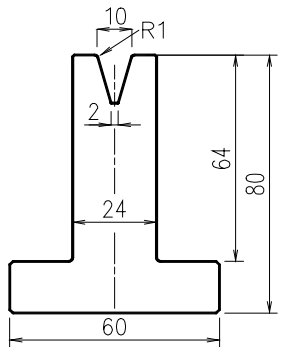


**Hardness: 54-58 HRC
inductionhardened**
Lengths: L = 835
[mm] S = 415
Sect. = 805

**350
kN/m**

		Item No.	Price Euro	Weight Kg
30°	L	T0830081		13,4
	S	T0830082		6,7
	Sect	T0830083		12,9

V10 - 30°

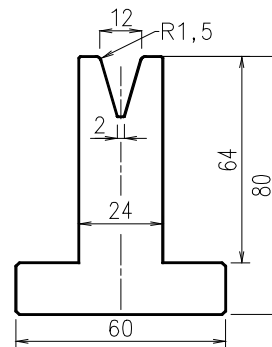


**Hardness: 54-58 HRC
inductionhardened**
Lengths: L = 835
[mm] S = 415
Sect. = 805

**500
kN/m**

		Item No.	Price Euro	Weight Kg
30°	L	T1030101		15,7
	S	T1030102		7,8
	Sect	T1030103		15,1

V12 - 30°

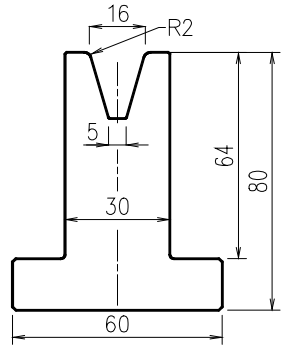


**Hardness: 54-58 HRC
inductionhardened**
Lengths: L = 835
[mm] S = 415
Sect. = 805

**400
kN/m**

		Item No.	Price Euro	Weight Kg
30°	L	T1230151		15,4
	S	T1230152		7,7
	Sect	T1230153		14,8

V16 - 30°

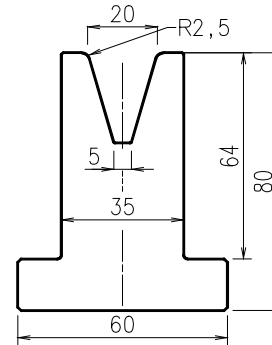


**Hardness: 54-58 HRC
inductionhardened**
Lengths: L = 835
[mm] S = 415
Sect. = 805

**450
kN/m**

		Item No.	Price Euro	Weight Kg
30°	L	T1630201		17,3
	S	T1630202		8,6
	Sect	T1630203		16,6

V20 - 30°

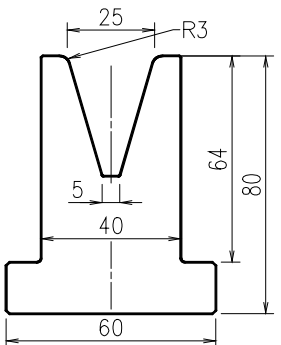


**Hardness: 54-58 HRC
inductionhardened**
Lengths: L = 835
[mm] S = 415
Sect. = 805

**500
kN/m**

		Item No.	Price Euro	Weight Kg
30°	L	T2030251		18,5
	S	T2030252		9,2
	Sect	T2030253		17,9

V25 - 30°



**Hardness: 54-58 HRC
inductionhardened**
Lengths: L = 835
[mm] S = 415
Sect. = 805

**500
kN/m**

		Item No.	Price Euro	Weight Kg
30°	L	T2530301		19,3
	S	T2530302		9,6
	Sect	T2530303		15,6

V6 - 60°

Hardness: 54-58 HRC
inductionhardened
Lengths: L = 835
[mm] S = 415
Sect. = 805

600 kN/m

	Item No.	Price Euro	Weight Kg
60°	L	T0660041	11,9
	S	T0660042	5,9
	Sect	T0660043	11,4

V8 - 60°

Hardness: 54-58 HRC
inductionhardened
Lengths: L = 835
[mm] S = 415
Sect. = 805

600 kN/m

	Item No.	Price Euro	Weight Kg
60°	L	T0860051	11,9
	S	T0860052	5,9
	Sect	T0860053	11,5

V10 - 60°

Hardness: 54-58 HRC
inductionhardened
Lengths: L = 835
[mm] S = 415
Sect. = 805

600 kN/m

	Item No.	Price Euro	Weight Kg
60°	L	T1060061	13,5
	S	T1060062	6,7
	Sect	T1060063	13,0

V12 - 60°

Hardness: 54-58 HRC
inductionhardened
Lengths: L = 835
[mm] S = 415
Sect. = 805

600 kN/m

	Item No.	Price Euro	Weight Kg
60°	L	T1260081	13,3
	S	T1260082	6,6
	Sect	T1260083	12,9

V16 - R1,6 - 60°

Hardness: 54-58 HRC
inductionhardened
Lengths: L = 835
[mm] S = 415
Sect. = 805

600 kN/m

	Item No.	Price Euro	Weight Kg
60°	L	T1660161	15,5
	S	T1660162	7,7
	Sect	T1660163	15,0

V16 - R3 - 60°

Hardness: 54-58 HRC
inductionhardened
Lengths: L = 835
[mm] S = 415
Sect. = 805

600 kN/m

	Item No.	Price Euro	Weight Kg
60°	L	T1660301	15,5
	S	T1660302	7,7
	Sect	T1660303	15,0

V20 - R2 - 60°

Hardness: 54-58 HRC
inductionhardened
Lengths: L = 835
[mm] S = 415
Sect. = 805

600 kN/m

	Item No.	Price Euro	Weight Kg
60°	L	T2060201	17,6
	S	T2060202	8,8
	Sect	T2060203	17,0

V20 - R3 - 60°

Hardness: 54-58 HRC
inductionhardened
Lengths: L = 835
[mm] S = 415
Sect. = 805

600 kN/m

	Item No.	Price Euro	Weight Kg
60°	L	T2060301	17,6
	S	T2060302	8,8
	Sect	T2060303	17,0

V25 - 60°

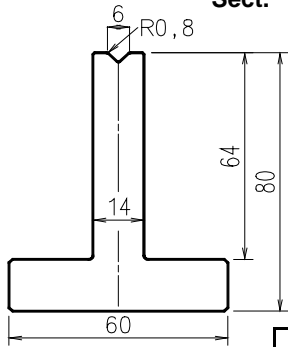
Hardness: 54-58 HRC
inductionhardened
Lengths: L = 835
[mm] S = 415
Sect. = 805

600 kN/m

	Item No.	Price Euro	Weight Kg
60°	L	T2560301	19,1
	S	T2560302	9,5
	Sect	T2560303	18,4

V6 - R0,8 - 88°

Hardness: 54-58 HRC
inductionhardened
Lengths: L = 835
[mm] S = 415
Sect. = 805

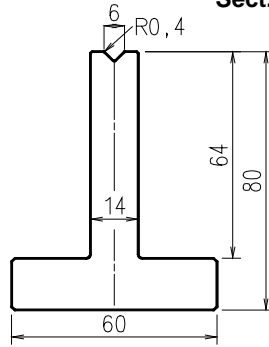


1000
kN/m

	Item No.	Price Euro	Weight Kg
88°	L	T0688081	12,0
	S	T0688082	6,0
	Sect	T0688083	11,6

V6 - R0,4 - 88°

Hardness: 54-58 HRC
inductionhardened
Lengths: L = 835
[mm] S = 415
Sect. = 805

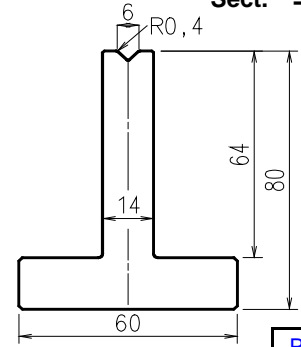


1000
kN/m

	Item No.	Price Euro	Weight Kg
88°	L	T0688041	12,0
	S	T0688042	6,0
	Sect	T0688043	11,6

V6 - 90°

Hardness: 54-58 HRC
inductionhardened
Lengths: L = 835
[mm] S = 415
Sect. = 805

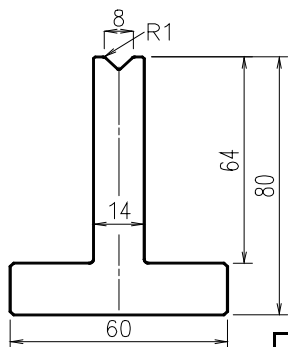


1000
kN/m

	Item No.	Price Euro	Weight Kg
90°	L	T0690041	12,0
	S	T0690042	6,0
	Sect	T0690043	11,6

V8 - R1 - 88°

Hardness: 54-58 HRC
inductionhardened
Lengths: L = 835
[mm] S = 415
Sect. = 805

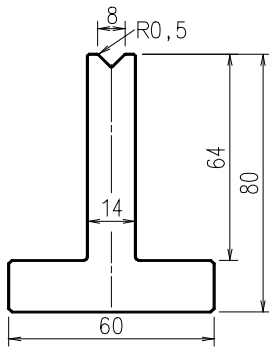


1000
kN/m

	Item No.	Price Euro	Weight Kg
88°	L	T0888101	11,9
	S	T0888102	5,9
	Sect	T0888103	11,5

V8 - R0,5 - 88°

Hardness: 54-58 HRC
inductionhardened
Lengths: L = 835
[mm] S = 415
Sect. = 805

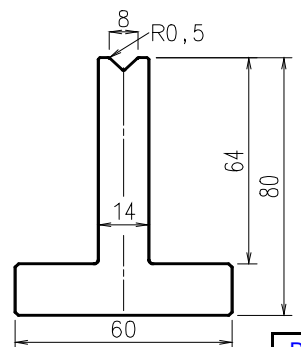


1000
kN/m

	Item No.	Price Euro	Weight Kg
88°	L	T0888051	11,9
	S	T0888052	5,9
	Sect	T0888053	11,5

V8 - 90°

Hardness: 54-58 HRC
inductionhardened
Lengths: L = 835
[mm] S = 415
Sect. = 805

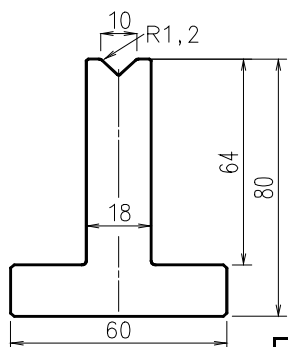


1000
kN/m

	Item No.	Price Euro	Weight Kg
90°	L	T0890051	11,9
	S	T0890052	5,9
	Sect	T0890053	11,5

V10 - R1,2 - 88°

Hardness: 54-58 HRC
inductionhardened
Lengths: L = 835
[mm] S = 415
Sect. = 805

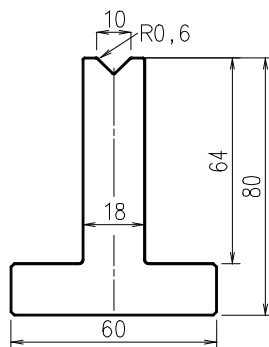


1000
kN/m

	Item No.	Price Euro	Weight Kg
88°	L	T1088121	13,6
	S	T1088122	6,7
	Sect	T1088123	13,1

V10 - R0,6 - 88°

Hardness: 54-58 HRC
inductionhardened
Lengths: L = 835
[mm] S = 415
Sect. = 805

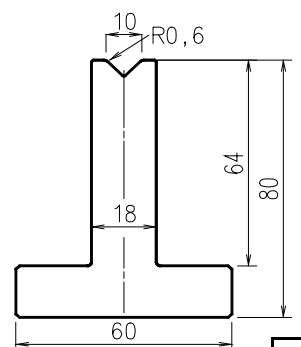


1000
kN/m

	Item No.	Price Euro	Weight Kg
88°	L	T1088061	13,6
	S	T1088062	6,7
	Sect	T1088063	13,1

V10 - 90°

Hardness: 54-58 HRC
inductionhardened
Lengths: L = 835
[mm] S = 415
Sect. = 805

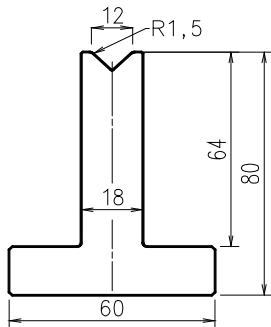


1000
kN/m

	Item No.	Price Euro	Weight Kg
90°	L	T1090061	13,6
	S	T1090062	6,7
	Sect	T1090063	13,1

V12 - R1,5 - 88°

Hardness: 54-58 HRC
inductionhardened
Lengths: L = 835
[mm] S = 415
Sect. = 805

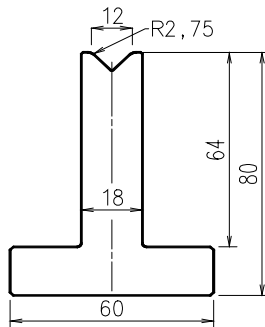


1000
kN/m

	Item No.	Price Euro	Weight Kg
88°	L	T1288151	13,5
	S	T1288152	6,7
	Sect	T1288153	13,0

V12 - R2,75 - 88°

Hardness: 54-58 HRC
inductionhardened
Lengths: L = 835
[mm] S = 415
Sect. = 805

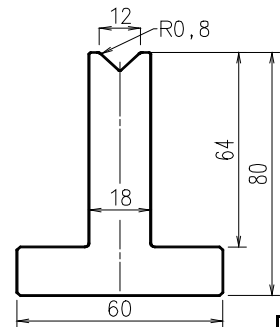


1000
kN/m

	Item No.	Price Euro	Weight Kg
88°	L	T1288271	13,5
	S	T1288272	6,7
	Sect	T1288273	13,0

V12 - 90°

Hardness: 54-58 HRC
inductionhardened
Lengths: L = 835
[mm] S = 415
Sect. = 805

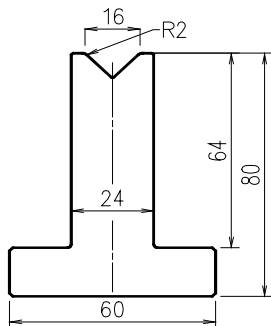


1000
kN/m

	Item No.	Price Euro	Weight Kg
90°	L	T1290081	13,5
	S	T1290082	6,7
	Sect	T1290083	13,0

V16 - R2 - 88°

Hardness: 54-58 HRC
inductionhardened
Lengths: L = 835
[mm] S = 415
Sect. = 805

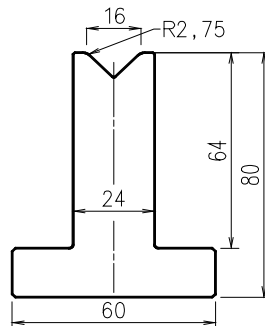


1000
kN/m

	Item No.	Price Euro	Weight Kg
88°	L	T1688201	15,8
	S	T1688202	7,9
	Sect	T1688203	15,2

V16 - R2,75 - 88°

Hardness: 54-58 HRC
inductionhardened
Lengths: L = 835
[mm] S = 415
Sect. = 805

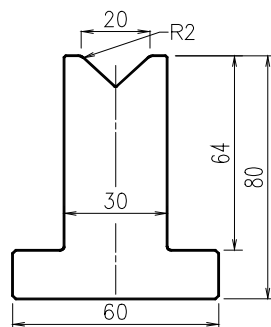


1000
kN/m

	Item No.	Price Euro	Weight Kg
88°	L	T1688271	15,8
	S	T1688272	7,9
	Sect	T1688273	15,2

V20 - R2 - 88°

Hardness: 54-58 HRC
inductionhardened
Lengths: L = 835
[mm] S = 415
Sect. = 805

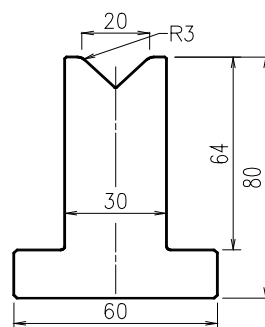


1000
kN/m

	Item No.	Price Euro	Weight Kg
88°	L	T2088201	18,1
	S	T2088202	9,0
	Sect	T2088203	17,4

V20 - R3 - 88°

Hardness: 54-58 HRC
inductionhardened
Lengths: L = 835
[mm] S = 415
Sect. = 805

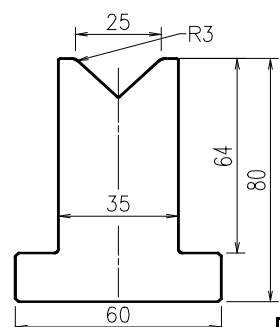


1000
kN/m

	Item No.	Price Euro	Weight Kg
88°	L	T2088301	18,1
	S	T2088302	9,0
	Sect	T2088303	17,4

V25 - 88°

Hardness: 54-58 HRC
inductionhardened
Lengths: L = 835
[mm] S = 415
Sect. = 805

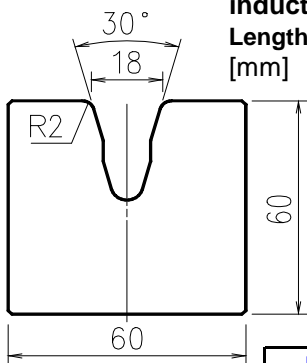


1000
kN/m

	Item No.	Price Euro	Weight Kg
88°	L	T2588301	19,8
	S	T2588302	9,8
	Sect	T2588303	19,1

V18 - 30°

Hardness: 54-58 HRC
inductionhardened
Lengths: L = 835
[mm] S = 415

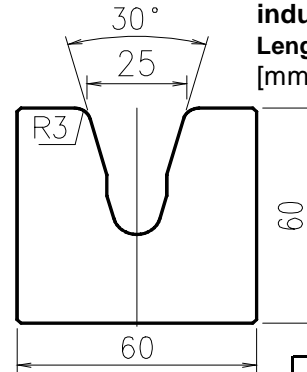


1000
kN/m

		Item No.	Price Euro	Weight Kg
30°	L	EC340001		22,8
	S	EC340002		10,9

V25 - 30°

Hardness: 54-58 HRC
inductionhardened
Lengths: L = 835
[mm] S = 415

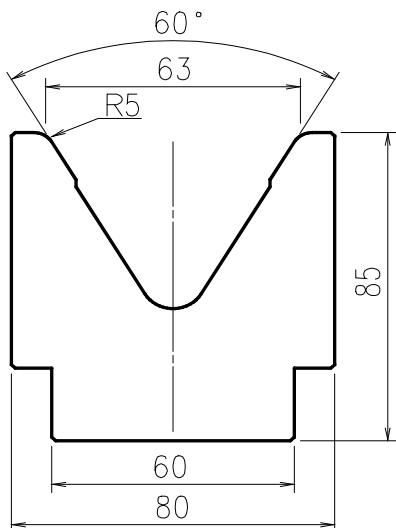


1000
kN/m

		Item No.	Price Euro	Weight Kg
30°	L	EC341001		22,0
	S	EC341002		11,0

V63 - 60°

Hardness: 54-58 HRC
inductionhardened
Lengths: L = 835
[mm] S = 415

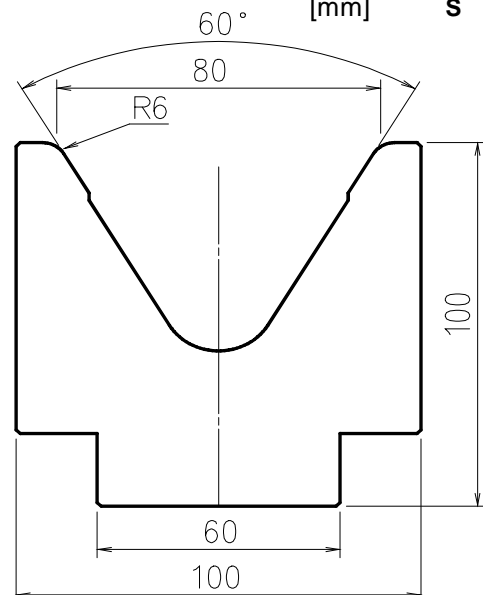


1000
kN/m

		Item No.	Price Euro	Weight Kg
60°	L	EC038061		32,4
	S	EC038062		16,2

V80 - 60°

Hardness: 54-58 HRC
inductionhardened
Lengths: L = 835
[mm] S = 415

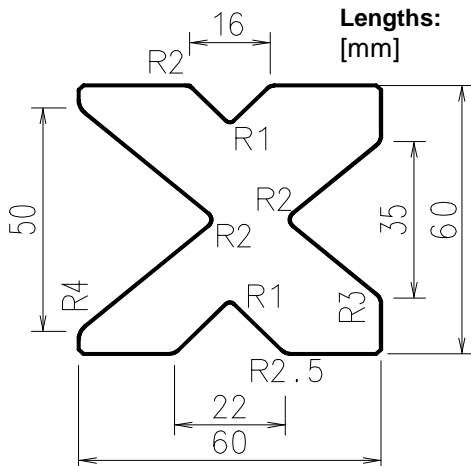


1000
kN/m

		Item No.	Price Euro	Weight Kg
60°	L	EC013061		41,9
	S	EC013062		21,9

4V - 85°

Hardness: 54-58 HRC
inductionhardened
Lengths: L = 835
[mm] S = 415

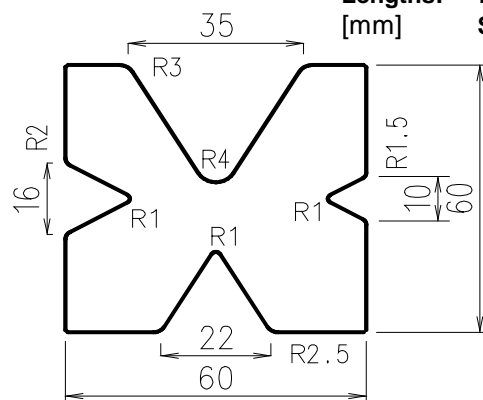


1000
kN/m

		Item No.	Price Euro	Weight Kg
85°	L	ECZ00081		19,8
	S	ECZ00082		9,8

4V - 60°

Hardness: 54-58 HRC
inductionhardened
Lengths: L = 835
[mm] S = 415



900
kN/m

		Item No.	Price Euro	Weight Kg
60°	L	ECZ00061		19,8
	S	ECZ00062		9,8

Polyamide Insert (white)

Mounting screws

Die Holder

- Eliminates die marks
- for thicknesses up to 3 mm

Holder for inserts W38

Lengths: L = 834 [mm] S = 414

200 kN/m

		Price Euro	Weight Kg
W38	L	PT300001	20,6
	S	PT300002	10,3

Holder for inserts W24

Lengths: L = 834 [mm] S = 414

200 kN/m

		Price Euro	Weight Kg
W24	L	PT100001	14,7
	S	PT100002	7,3

Holder for inserts W35

Lengths: L = 834 [mm] S = 414

200 kN/m

		Price Euro	Weight Kg
W35	L	PT200001	17,7
	S	PT200002	8,8

Polyamide inserts W38

Lengths: L = 835 [mm] S = 415

		Price Euro	Weight Kg
W38	L	PT306881	1,0
	S	PT306882	0,5

Polyamide inserts W24

Lengths: L = 835 [mm] S = 415

		Price Euro	Weight Kg
W24	L	PT106881	0,3
	S	PT106882	0,2

Polyamide inserts W35

Lengths: L = 835 [mm] S = 415

		Price Euro	Weight Kg
W35	L	PT208881	0,5
	S	PT208882	0,3

A°	V	Item No.	Price Euro	Weight Kg
88°	6	L	PT306881	1,0
		S	PT306882	0,5
	8	L	PT308881	1,0
		S	PT308882	0,5
10	L	PT310881	1,0	
	S	PT310882	0,5	
12	L	PT312881	0,9	
	S	PT312882	0,5	
16	L	PT316881	0,9	
	S	PT316882	0,5	
20	L	PT320881	0,9	
	S	PT320882	0,4	
25	L	PT325881	0,8	
	S	PT325882	0,4	

A°	V	Item No.	Price Euro	Weight Kg
88°	6	L	PT106881	0,3
		S	PT106882	0,2
	8	L	PT108881	0,3
		S	PT108882	0,2
10	L	PT110881	0,3	
	S	PT110882	0,2	
60°	6	L	PT106601	0,3
		S	PT106602	0,2
	8	L	PT108601	0,3
		S	PT108602	0,2
10	L	PT110601	0,3	
	S	PT110602	0,2	
30°	6	L	PT106301	0,3
		S	PT106302	0,2
	8	L	PT108301	0,3
		S	PT108302	0,2

A°	V	Item No.	Price Euro	Weight Kg	
88°	6	L	PT206881	0,5	
		S	PT206882	0,3	
	8	L	PT208881	0,5	
		S	PT208882	0,3	
	10	L	PT210881	0,5	
		S	PT210882	0,3	
	12	L	PT212881	0,5	
		S	PT212882	0,3	
	16	L	PT216881	0,5	
		S	PT216882	0,3	
	60°	6	L	PT206601	0,5
			S	PT206602	0,3
8		L	PT208601	0,5	
		S	PT208602	0,3	
10		L	PT210601	0,5	
		S	PT210602	0,3	
12		L	PT212601	0,5	
		S	PT212602	0,3	
16		L	PT216601	0,4	
		S	PT216602	0,2	
30°		6	L	PT206301	0,5
			S	PT206302	0,3
	8	L	PT208301	0,5	
		S	PT208302	0,3	
	10	L	PT210301	0,5	
		S	PT210302	0,3	

A°	V	Item No.	Price Euro	Weight Kg
88°	6	L	PT306601	1,0
		S	PT306602	0,5
	8	L	PT308601	0,9
		S	PT308602	0,4
10	L	PT310601	0,9	
	S	PT310602	0,4	
60°	6	L	PT306601	1,0
		S	PT306602	0,5
	8	L	PT308601	0,9
		S	PT308602	0,4
10	L	PT310601	0,9	
	S	PT310602	0,4	
30°	6	L	PT306301	0,9
		S	PT306302	0,4
	8	L	PT308301	0,9
		S	PT308302	0,4
	10	L	PT310301	0,9
		S	PT310302	0,4
	12	L	PT312301	0,8
		S	PT312302	0,4
	16	L	PT316301	0,7
		S	PT316302	0,4